

Command-Runner™

Portable Communication & Command System



Unrivaled Mobility - Custom Configurations

The Command-Runner™ provides a customizable, mobile platform for command, communications, data and incident management. The secure, weather resistant enclosure can be configured with radios, VoIP, Wi-Fi, computers, monitors, cameras, printers, drawers and charging ports to support nearly any type of field operation.

The unit rolls like a cart, then easily mounts to any vehicle's 2" trailer hitch where it rides, wheels up, like a cargo carrier. A single person can transport and deploy an all-in-one command center in minutes.



The narrow chassis fits through doorways and into most elevators, so the Command-Runner™ is versatile both indoors and out. Your command and communications is no longer restricted to a parking lot.

Command-Runner™ is the perfect solution for:

- **Emergency Incident Command**

- Command and communication for Fire/Rescue, Law Enforcement & First Responders
- Tornado, fire, flood, earthquake, hurricane or terrorism

- **Tactical Dispatch**

- On-site dispatch and communication for SWAT, Search & Rescue, and inter-agency teams
- Active shooter, hostage, and mass triage scenes

- **Mobile Security Control Center**

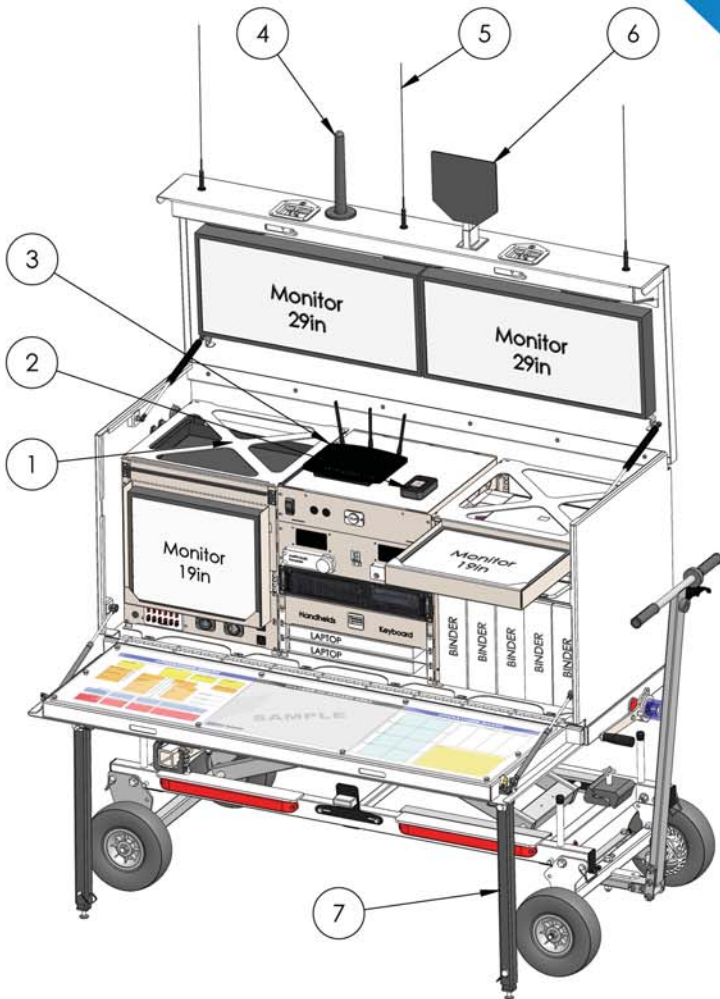
- All-in-one mobile security console for video monitoring, access and alarm systems
- Enables multiple safe backup sites on a quick deploy basis
- Hospital and school campuses, business, sporting venues and government locations

- **Non-emergency event/crowd management**

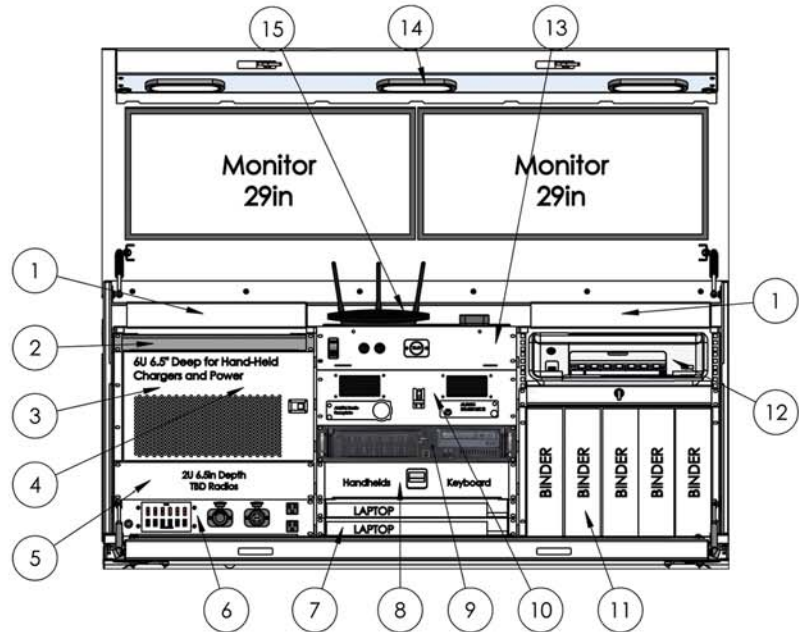
- Communication center for handling assets, guest management, first aid, and security
- Public relations events, parades, and races



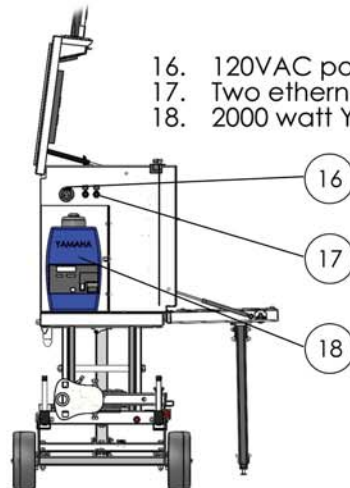
Sample Configuration Tactical Dispatch / Remote Security



1. Three 11U (available up to 12U) 19-inch racks.
2. 4G/LTE mobile hotspot.
3. Wireless router.
4. AM/FM antenna.
5. Three UHF/VHF radio antennas.
6. HDTV flat antenna.
7. Collapsible telescoping support legs.



1. Swing-down monitors are up to show access to storage.
2. 1U storage drawer.
3. All components of this color are actually matte black.
4. Large cabinet with handheld chargers, power and handhelds.
5. Radio panel.
6. Power strip with two AC outlets, DC power and two USB outlets.
7. Two laptop drawers with power access for stored charging.
8. 2U drawer for handhelds & computer keyboard and mouse.
9. 2U rack computer with system software.
10. Radio panel.
11. Storage for 5 3" 3-ring binders.
12. Inkjet printer on locking slide out shelf.
13. Power control module with inverter and battery conditioner.
14. Red light (night vision) and white lights are on separate switches.
15. Wireless router & 4G/LTE antenna for hot spot access.



16. 120VAC power inlet.
17. Two ethernet weatherproof inlets.
18. 2000 watt Yamaha inverter generator.

For more information and pricing please contact:

Mike Bechtol

(530) 774-6357 • MikeB@Rescue42.com

Marteen Otway

(530) 891-3473 • Marteen@Rescue42.com

View Recent Builds
and videos at:
ThePodRunner.com

