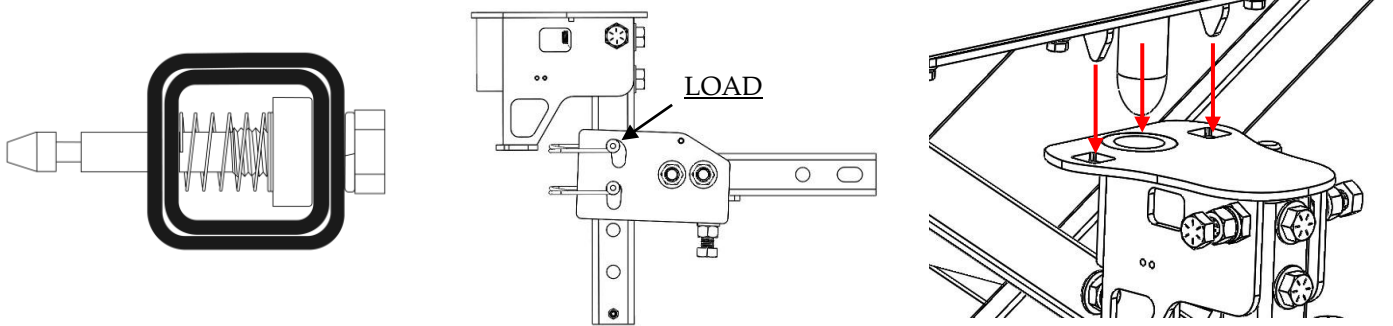
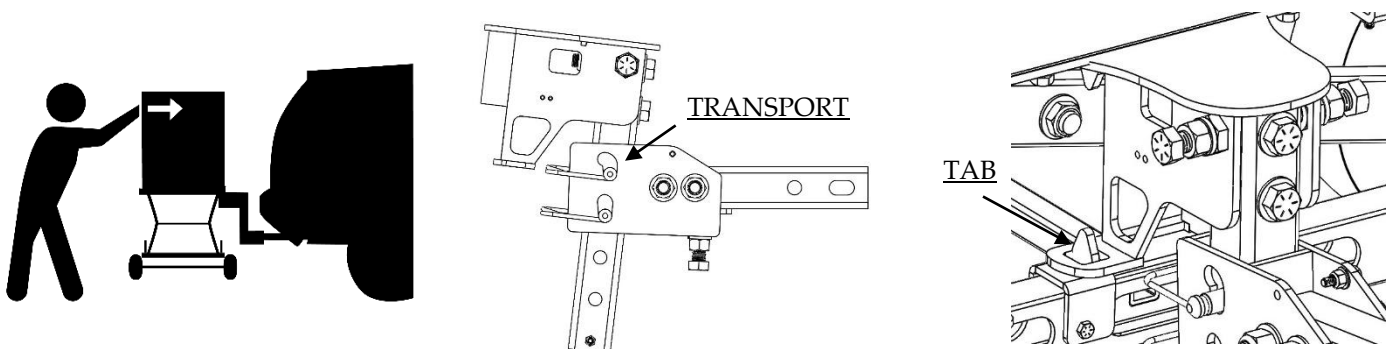


## Quick Start Guide – Loading

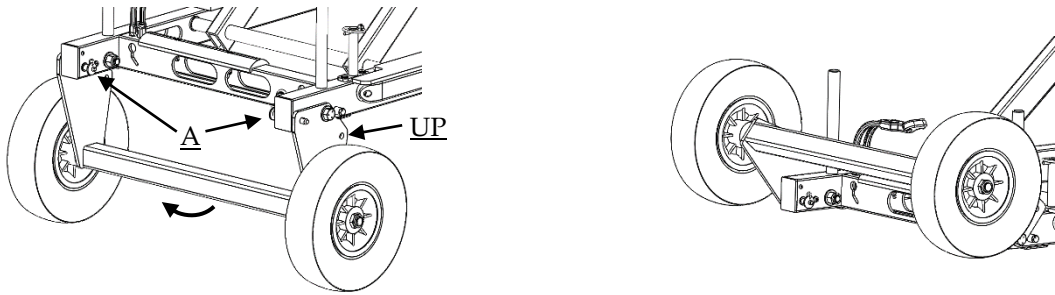
1. Position the vehicle's tow hitch over solid, level ground.
2. Remove the Hitch Adapter from the Chassis Bed and insert the Receiver Tongue into the hitch of vehicle. Secure with the Anti-Rattle Hitch Pin ensuring that the threaded block is on inserted side.
3. Set the Height Adjustment of the Hitch Adapter.
4. Pull the Hitch Adapter's Mounting Box up & away from the vehicle to seat the PitchLok Pins in the LOAD position.
5. Raise the SatRunner by rotating the Crank Handle CLOCKWISE to elevate the Mounting Pin above the Hitch Adapter. Roll into position with the Mounting Pin above the Mounting Box Receiver Tube.
6. Turn the Crank Handle COUNTER-CLOCKWISE to lower the Mounting Pin into the Hitch Adapter until the Mounting Tabs drop and lock into their respective holes.



7. Continue lowering until the weight begins to transfer to the vehicle's suspension. STOP turning the handle. Give the Unit a firm push towards the vehicle. The PitchLok Pins will slide down into the TRANSPORT position.
8. Connect the Runner's Chassis 4-pin connector to the vehicle's 4-pin receiver and test for proper operation of the Stop, Turn, and Taillights.
9. After securing the unit into the TRANSPORT Position, continue raising the Lower Frame until the Mounting Box locks on the tabs of the Lower Frame, then a ¼ to ½ a turn more to add compression securing it to the Hitch Adapter.



10. Remove Leg Pins (A) from both sides of the Tail Axle assembly.
11. Rotate the Tail Axle upwards.
12. Reinsert Leg Pins into the UP-position holes.



**⚠** Exercise caution to not pinch the Brake Lines.

13. Remove the Steering Lock Pin (A) and both Leg Pins (B).
14. Rotate the axle half-way up, then rotate the steering handle counterclockwise 180°.
15. Align the steering link and lock tab holes (C) and insert the steering lock pin (A).
16. Rotate the wheels all the way into the UP position.
17. Reinsert both leg pins (B) into UP position holes.
18. Use the Red Safety Lanyard to secure the handle.
19. Verify SatRunner chassis lights are fully functional before traveling.

