

1. Place the SLC+ in a flat area with a clear view of the sky.
2. Remove the lid. The SLC+ must operate with the lid off.
3. Connect an external power source to the case using the AC or DC bulkhead ports on the case for sustained operation (Figure 1).
4. Ensure batteries are connected to the battery connection points inside the Battery Box. Turn the battery switch to 'ON'.
5. Open both Fan ports on the sides of the case (Figure 1).

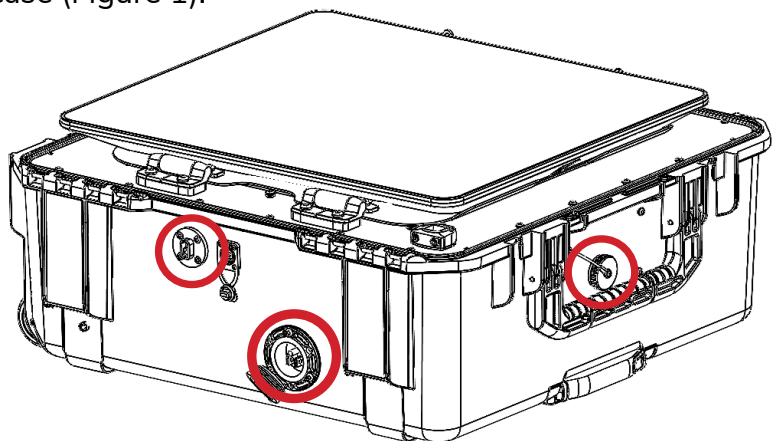


Figure 1. Indicating the SLC+ AC/DC ports and Fan port

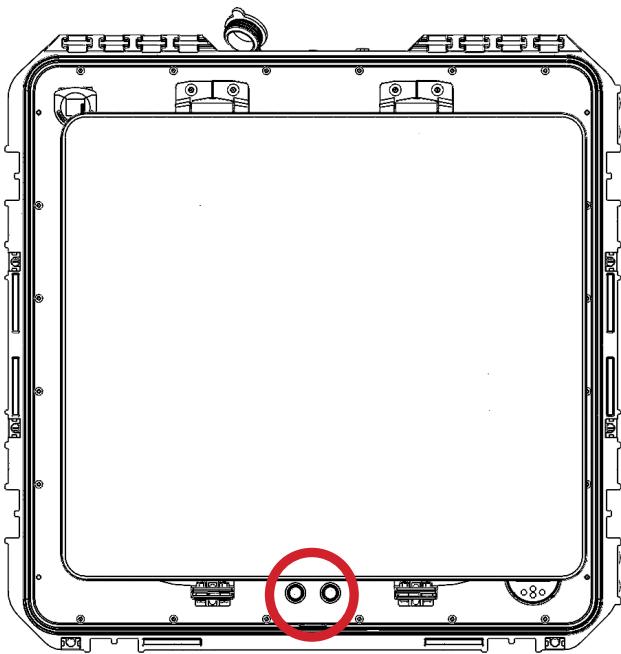


Figure 2. Indicating the SLC+ Power Buttons

6. Press both the Main Power and Sat Power buttons on the Antenna Deck (Figure 2).
7. Allow the terminal to go online and establish an internet connection.
8. Check for connectivity with a connected device.