

1. Place the miniCRD in a shaded area within Wi-Fi or Ethernet cable range of a deployed SLC+.

- a. The miniCRD and the SLC+ will automatically pair over Wi-Fi (Wi-Fi as WAN) when both are powered on.
- b. To use the included Ethernet cable, connect the LAN port of the SLC+ to the WAN port of the miniCRD (Figure 1). Other sources of Internet may also be used.

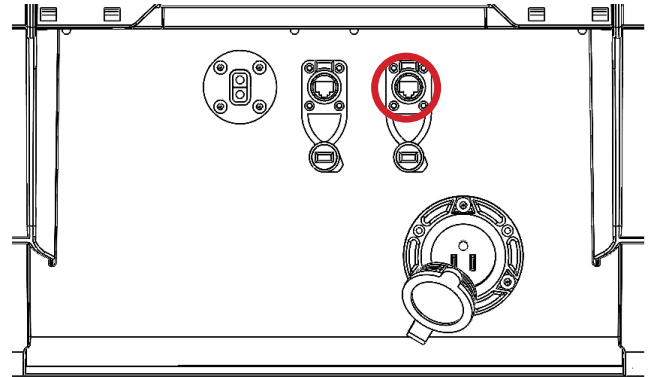


Figure 1. Indicating the miniCRD WAN port

2. Connect an external power source using the AC or DC ports for sustained operation (Figure 2).

3. Ensure batteries are connected to the battery connection points inside the Battery Box. Turn the battery switch to 'ON'.

4. Open both Fan ports on the sides of the case (Figure 2).

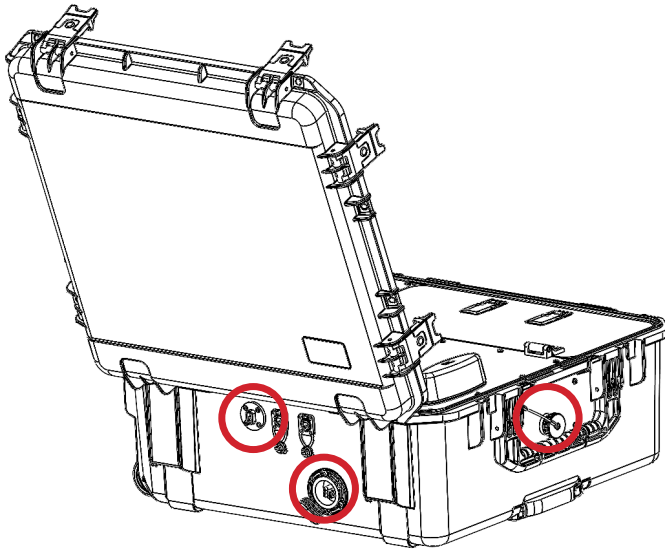


Figure 2. Indicating the miniCRD AC/DC ports and Fan port

5. Follow Quick Start instructions to get the SLC+ online.

6. Press both the Main Power and SBO Power buttons on the miniCRD Antenna Deck (Figure 3).

7. Use the glass viewport to ensure the SBO is transmitting with three solid green lights. This process may take several minutes.

8. Close lid for operation.

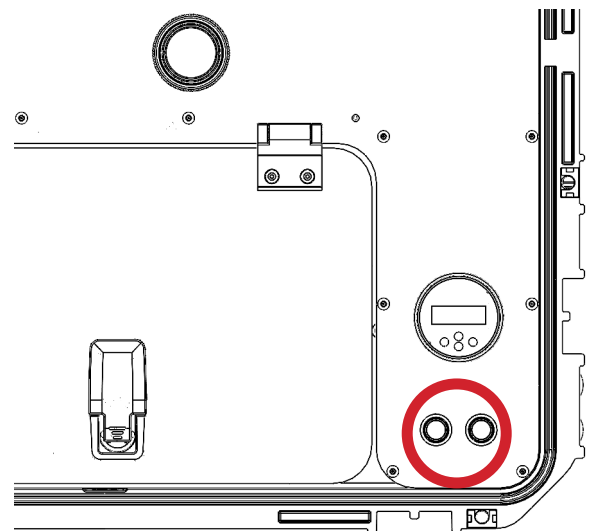


Figure 3. Indicating the miniCRD Power Buttons